

CLASSIC FOUNTAIN PEN & ROLLERBALL INSTRUCTIONS

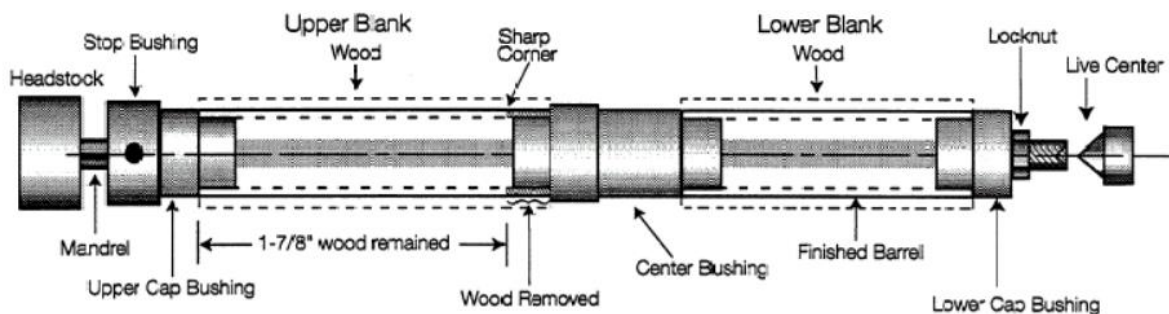
REQUIRED ACCESSORIES

- 7mm long mandrel
- 3pcs bushings set
- 10mm Drill Bit
- 10mm Barrel Trimmer (optional)
- 2 part Epoxy Glue

Preparing the Blanks

- Cut 3/4" to 5/8" square blanks to the length of the brass tubes (add 1/16" for squaring off).
- Drill a 10mm centre hole lengthwise through each blank.
- Spread glue over tube. Insert each tube into proper blank with a twisting motion to spread the glue evenly inside.
- Centre each brass tube lengthwise in the wooden blank.
- When the glue dries, square ends of blanks. Use a 10mm barrel trimmer or belt/disc sander to trim the wood flush to the brass tube at each end, making sure the wood ends are perpendicular to the tubes.

Diagram B / Turning The Blanks



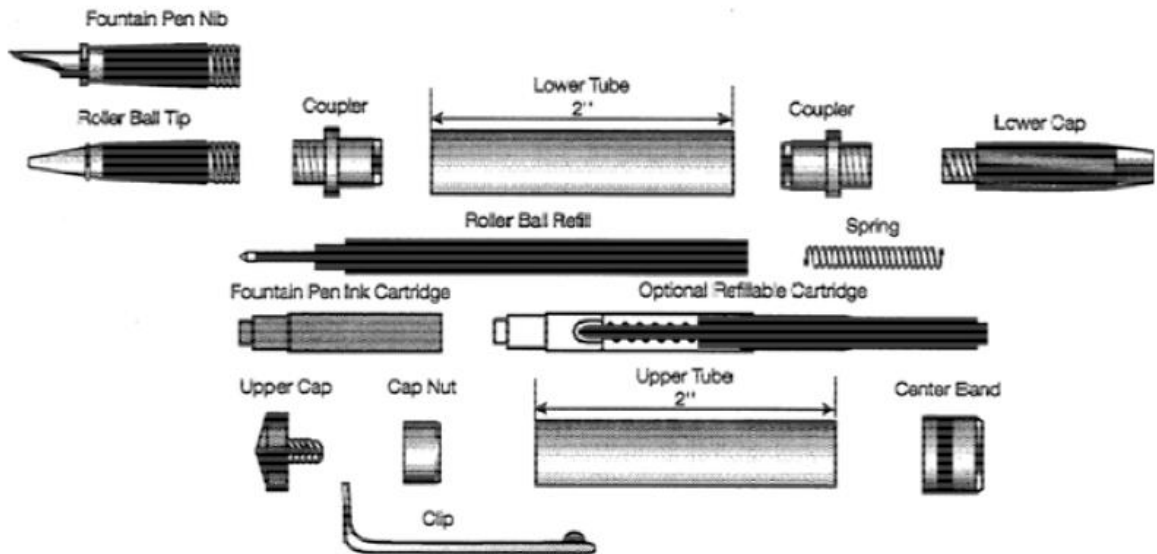
Turning the Blanks

- Place the stop bushing on the mandrel hand tight.
- Place the cap bushing (longer one) wide end first.
- Slide on the either blank. Place the centre bushing (wide end first) on the mandrel.
- Slide on the other blank and follow with shorter tip bushing, narrow diameter first.
- Thread on the lock nut hand tight. Bring the tail stock snug with the mandrel. (Do not over tighten, it could damage the mandrel).
- Slide the stop bushing toward the blank adjusting to remove spaces. Then tighten the set screw and tighten the lock nut.
- Turn wood down flush with the bushings using lathe chisels and various grits of sandpaper.

Removing Wood For Centre Band:

- Use a pencil to mark 1-7/8" from the upper cap bushing on the upper barrel. Use a parting tool to remove the excess wood down to the brass tube. Be careful, you must retain a sharp 90-degree corner at the end of the upper blank when you remove the excess wood.
- Sand the wood and finish with your choice of polishes or waxes.

Diagram A / Parts Layout



Fountain Pen Assembly

Assembly Of Body Barrel

- Line up and identify finished parts according to Diagram A.
- Slip the "O" ring over the thread of the coupler, into the groove
- Press a coupler into each end of the barrel.
- Screw in the plastic end cap (either end).
- Push the ink cartridge, (narrow end first) into the open end of the nib assembly to the end to break and opening and allow the ink to flow. Screw in assembly into the barrel.

TIP:

Stroke the pen nib from the small hole to the tip with a damp paper to help start the ink flow. OR when using the refillable cartridge, push the clear end of the cartridge into the opening of the nib assembly until it clicks. Screw the inner shaft counter-clockwise all the way down inside the cartridge. Now, dip the nib into an ink bottle and slowly turn shaft upwards (clockwise) to draw ink in until the reservoir is filled. Screw the nib assembly back into the barrel.

Assembly of the Cap Barrel

- Press cap nut, recess end first, into the flat end of the barrel.
- Press the centre band, (square end first) over the exposed end of the brass tube to the wood.
- Use a drop of glue if necessary.
- Insert the threaded stud on the upper cap into the hole in the clip.
- Next, thread this assembly tightly into the cap nut

Operating The Pen

The Fountain Pen is ready to operate. A quick 1/4 turn will screw ends together. When using the pen, screw the cap over the body end. Always keep the nib covered when not in use to avoid the ink drying out.

Roller Ball Pen Assembly

Assembly Of Body Barrel

Line up and identify finished parts according to Diagram A.

Slip the "O" ring over the thread of the coupler, into the groove

Press a coupler into each end of the barrel.

Screw in the plastic end cap (either end).

Drop the spring into the barrel. Remove the cover from the ink refill and insert the flat end inside the barrel.

Screw on the tip over the point.

Assembly of the Cap Barrel

Press cap nut, recess end first, into the flat end of the barrel.

Press the centre band, (square end first) over the exposed end of the brass tube to the wood. Use a drop of glue if necessary.

Insert the threaded stud on the upper cap into the hole in the clip.

Next, thread this assembly tightly into the cap nut

Operating The Pen

The Roller Ball Pen is ready to operate. A quick 1/4 turn will screw ends together. When using the pen, screw the cap over the body end. Always keep the tip covered when not in use to avoid the ink drying out.

